



(12) **United States Design Patent**
Yoon et al.

(10) **Patent No.:** **US D932,643 S**

(45) **Date of Patent:** **** Oct. 5, 2021**

(54) **THERAPEUTIC PRESSURE APPLICATION DEVICE**

(74) *Attorney, Agent, or Firm* — Law Office of Steven R. Olsen, PLLC; Steven R. Olsen

(71) Applicants: **Joe B. Yoon**, Orlando, FL (US);
Patrick J. Saville, Winter Garden, FL (US)

(57) **CLAIM**

The ornamental design for a therapeutic pressure application device, as shown and described.

(72) Inventors: **Joe B. Yoon**, Orlando, FL (US);
Patrick J. Saville, Winter Garden, FL (US)

DESCRIPTION

(**) Term: **15 Years**

FIG. 1 is a top perspective view of a therapeutic pressure application device, showing my new design, broken lines depicting environment that forms no part of the claimed design;

(21) Appl. No.: **29/726,180**

FIG. 2 is a top perspective view thereof, environment depicted in FIGS. 1, 3-6, and 9 being omitted;

(22) Filed: **Feb. 29, 2020**

FIG. 3 is a front elevational view thereof, broken lines depicting environment that forms no part of the claimed design;

(51) **LOC (13) Cl.** **28-03**

(52) **U.S. Cl.**
USPC **D24/211; D24/214**

FIG. 4 is a rear elevational view thereof, broken lines depicting environment that forms no part of the claimed design;

(58) **Field of Classification Search**
USPC D24/215, 200, 211, 212, 213, 214, 133,
D24/188, 107, 231; D9/519; D28/82,
(Continued)

FIG. 5 is a left side elevational view thereof, broken lines depicting environment that forms no part of the claimed design;

(56) **References Cited**

U.S. PATENT DOCUMENTS

D403,076 S 12/1998 York
D454,644 S * 3/2002 York D24/214
(Continued)

FIG. 6 is a right side elevational view thereof, broken lines depicting environment that forms no part of the claimed design;

OTHER PUBLICATIONS

GoFit Roll-On Massager. Date: Oct. 15, 2014. [online]. [Site visited Jun. 11, 2021]. Available from Internet URL: <https://www.amazon.com/dp/B000JHLBB2> (Year: 2014).*

FIG. 7 is a top plan view thereof, environment depicted in FIGS. 1, 3-6, and 9 being omitted;

(Continued)

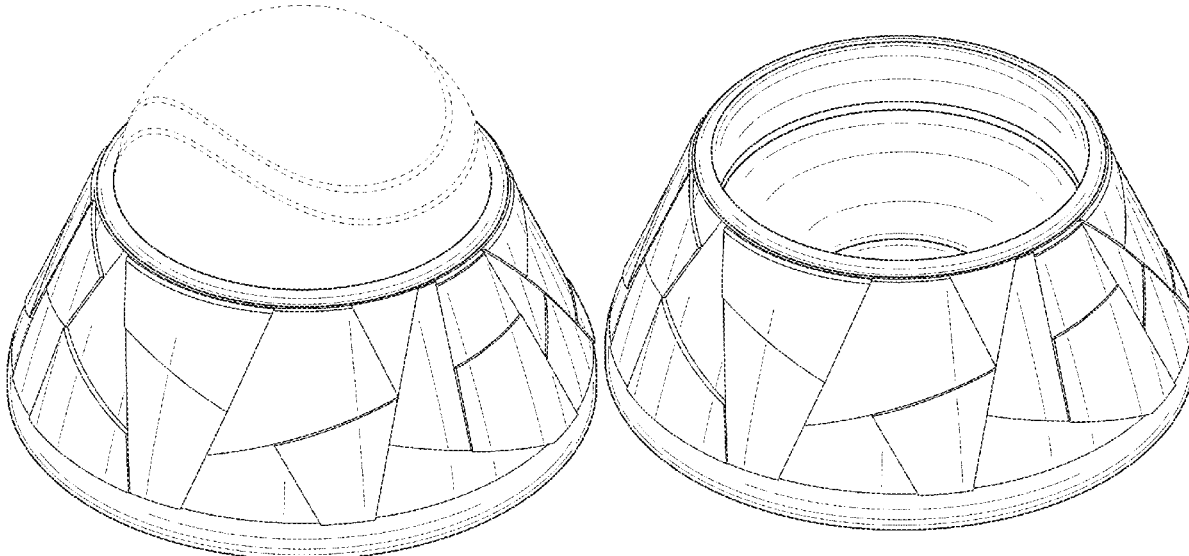
FIG. 8 is a bottom plan view thereof, environment depicted in FIGS. 1, 3-6, and 9 being omitted, broken lines depicting a portion of the therapeutic pressure application device that forms no part of the claimed design;

FIG. 9 is a front elevational view thereof, broken line circle indicating a portion detailed in FIG. 10, other broken lines depicting environment that forms no part of the claimed design; and,

FIG. 10 is an enlarged front elevational view for the portion indicated in FIG. 9.

Primary Examiner — Brett Miller
Assistant Examiner — Landon Thomas Cassell

1 Claim, 5 Drawing Sheets



(58) **Field of Classification Search**

USPC D28/13; D21/717, 708, 709, 698, 662, D21/796; D8/14.1
 CPC . A61H 1/00; A61H 1/008; A61H 9/00; A61H 9/005; A61H 9/0007; A61H 9/0021; A61H 15/00; A61H 2015/0007; A61H 15/0092; A61H 2015/0071; A61H 15/0078; A61H 15/0085; A61H 23/00; A61H 23/006; A61H 2023/002; A61H 23/06; A61H 23/02; A61H 2201/0153; A61H 2201/0157; A61H 7/005; A61H 7/003

See application file for complete search history.

(56) **References Cited**

U.S. PATENT DOCUMENTS

D507,057	S *	7/2005	Timmer	D24/211
D762,309	S	7/2016	Cohen		
D765,873	S *	9/2016	Hetzel	D24/214
D789,548	S *	6/2017	Cheng	D24/211
D806,889	S	1/2018	Holland		
D825,858	S *	8/2018	Teller	D28/85
D829,334	S *	9/2018	Hardof	D24/211
D848,631	S	5/2019	Reay		
D887,568	S *	6/2020	Lin	D24/200
D894,963	S *	9/2020	Li	D14/496
2013/0090583	A1 *	4/2013	Jung	A61H 39/04 601/131
2014/0336550	A1 *	11/2014	Zedaker	A61H 39/04 601/131
2015/0223970	A1 *	8/2015	Holland	A61H 15/00 601/19
2016/0279017	A1 *	9/2016	Hyder	A61H 15/0092
2018/0353369	A1 *	12/2018	Newns	A61H 15/0092

OTHER PUBLICATIONS

Pyramid Ventilated Large Bowling Ball Cup. Date: Jan. 16, 2020. [online]. [Site visited Jun. 14, 2021]. Available from Internet URL: <https://www.amazon.com/dp/B083YS6RZ7/> (Year: 2020).*

IECO Cold Massage Roller. Date: Jul. 9, 2019. [online]. [Site visited Jun. 11, 2021]. Available from Internet URL: <https://www.amazon.co.uk/dp/B07V4FVRX7/> (Year: 2019).*

Pressure applicators. (Design—© Questel) orbit.com. [Online PDF compilation of references] 21 pgs. Print Dates Range Jun. 16, 1994-Jun. 12, 2018 [Retrieved Jun. 15, 2021] <https://www.orbit.com/export/UCZAH96B/pdf4/db803c6a-df1f-4c3c-9d4d-81cbcd57541d-160909.pdf> (Year: 2021).*

LME Products, Massage Ball, viewed at: https://www.amazon.com/Massage-Ball-Hot-Cold-Roller/dp/B076NG...f_dp_p_img_14?encoding=UTF8&refRID=NQ48VCWCH6GGR8CEPDCH&th=1 on Aug. 5, 2019.

Junghyun Kim, RecoverBI, viewed at: https://www.amazon.com/dp/B07P8M9R3B/ref-sspa_dk_detail_1?psc...DYWIsJmFjdGlvbjljGjja1JIZGlyZWNOJmRvTm90TG9nQ2xpY2s9dHJlZQ== on Aug. 4, 2019.

Congshi Technology, Manual Massage Ball (Zongs), viewed at: https://www.amazon.com/dp/B076FV53QG/ref=sspa_dk_detail_5?pd_rd...GjJmFjdGlvbjljGjja1JIZGlyZWNOJmRvTm90TG9nQ2xpY2s9dHJlZQ&th=1 on Mar. 4, 2019.

Waymo LLC, Pivit Manual Massage Roller Ball, viewed at: https://www.amazon.com/dp/B07N52NJ6K/ref=sspa_dk_detail_2?p...wmYWN0aW9uPWNsaWNRUmVkaXJlY3QmZG9Ob3RMB2dDbGJjaz10cnVI&th=1 on Aug. 4, 2019.

Acumobility, Trigger Point Ball, viewed at: https://www.amazon.com/Acumobility-Level-Orange-Trigger-Point/dp/...ref=sr_1_5?keywords=mobility+ball&qid=1564956165&s=gateway&sr=8-5 on Aug. 4, 2019.

* cited by examiner

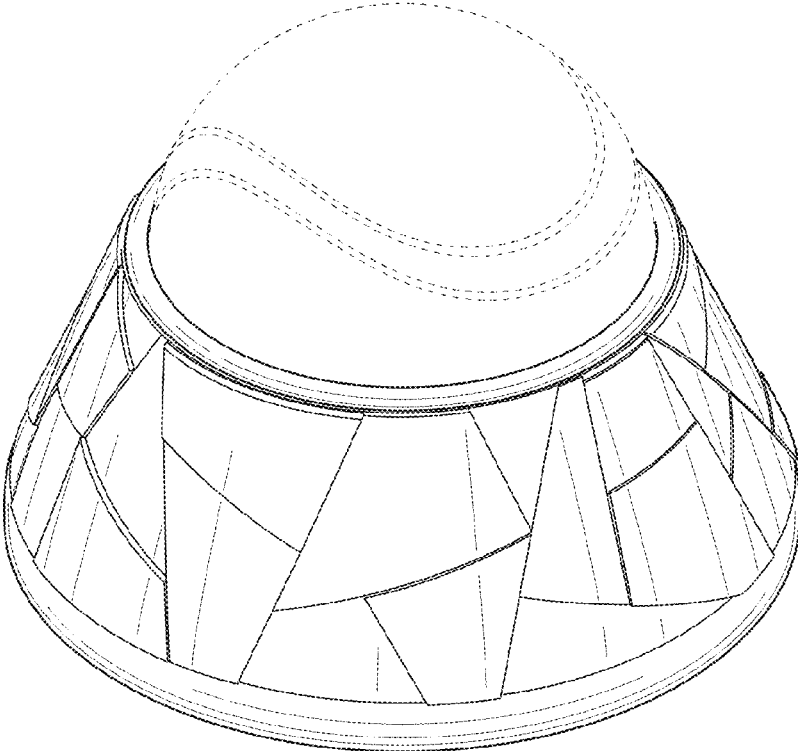


FIG. 1

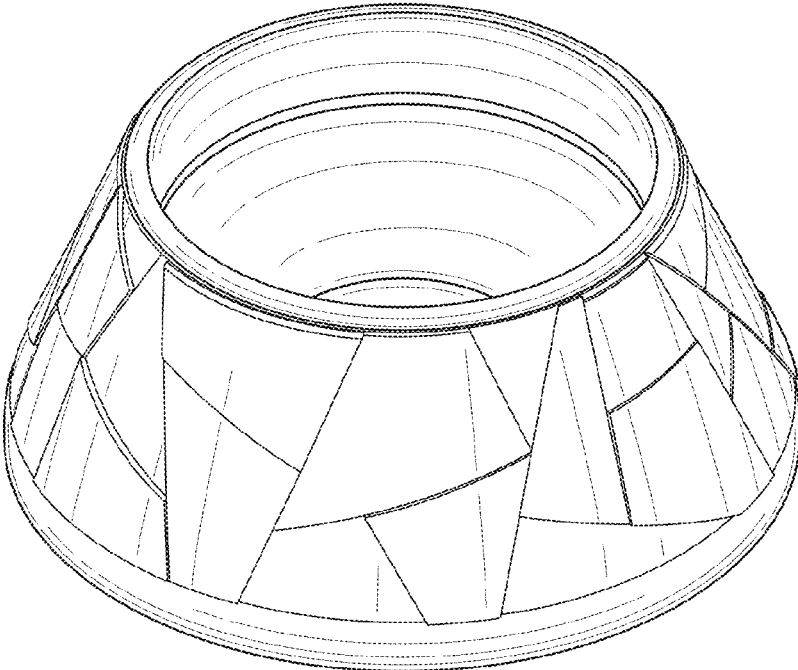


FIG. 2

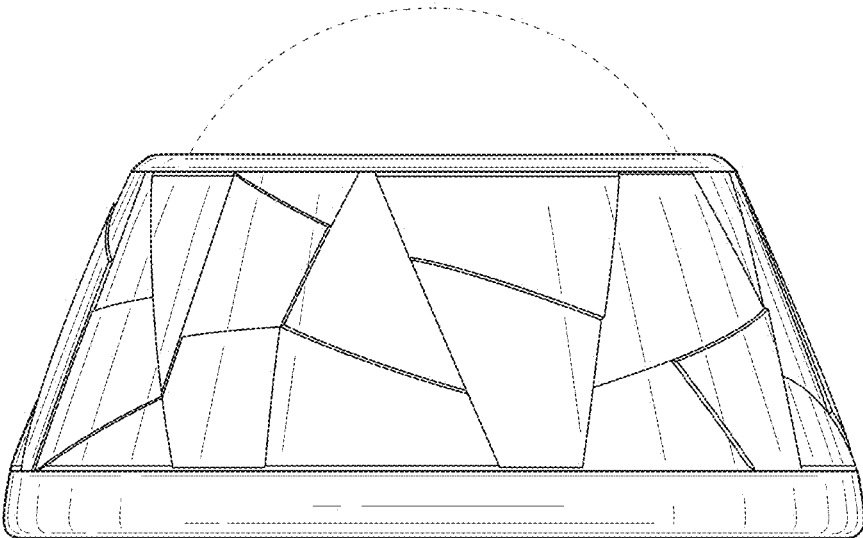


FIG. 3

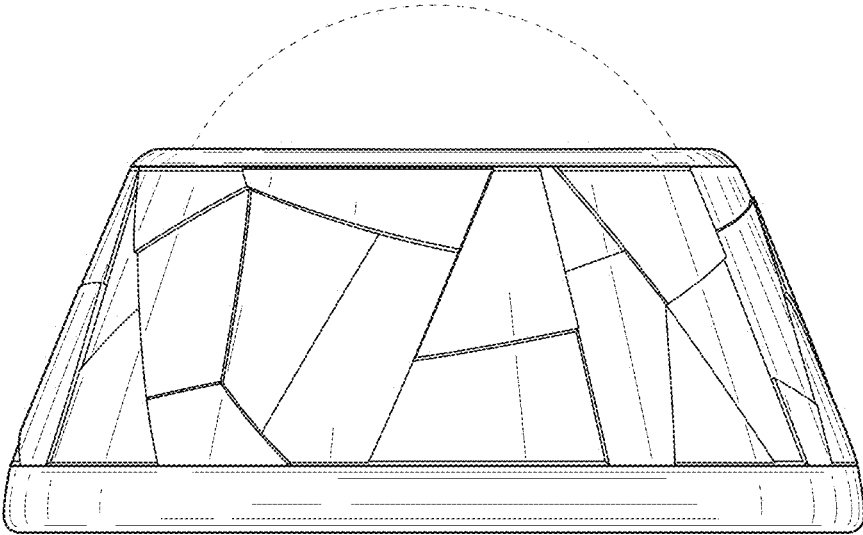


FIG. 4

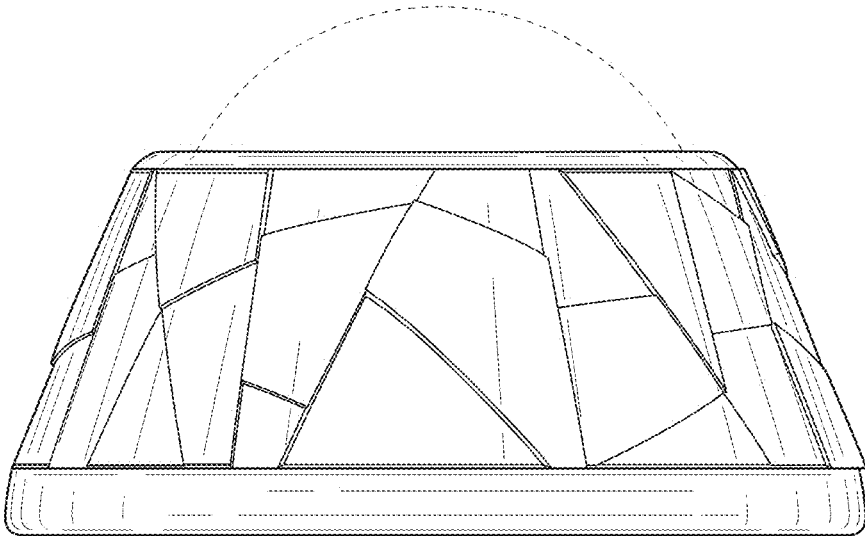


FIG. 5

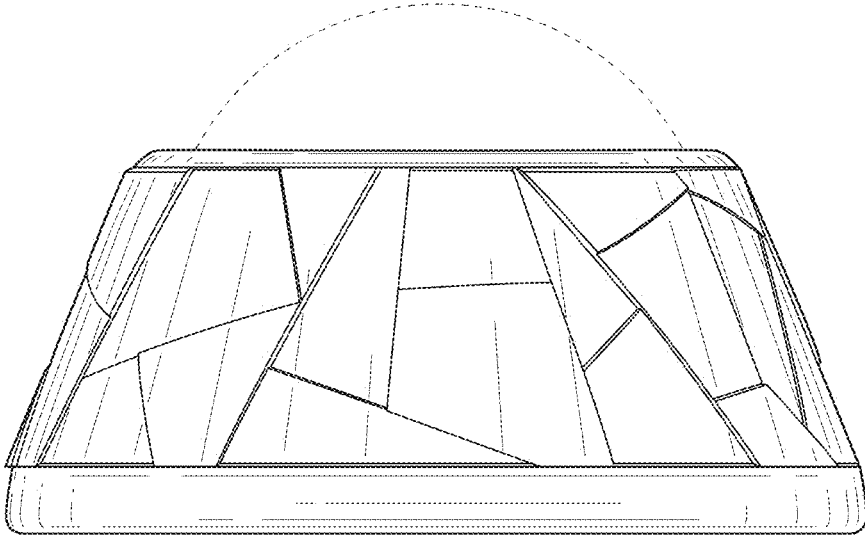


FIG. 6

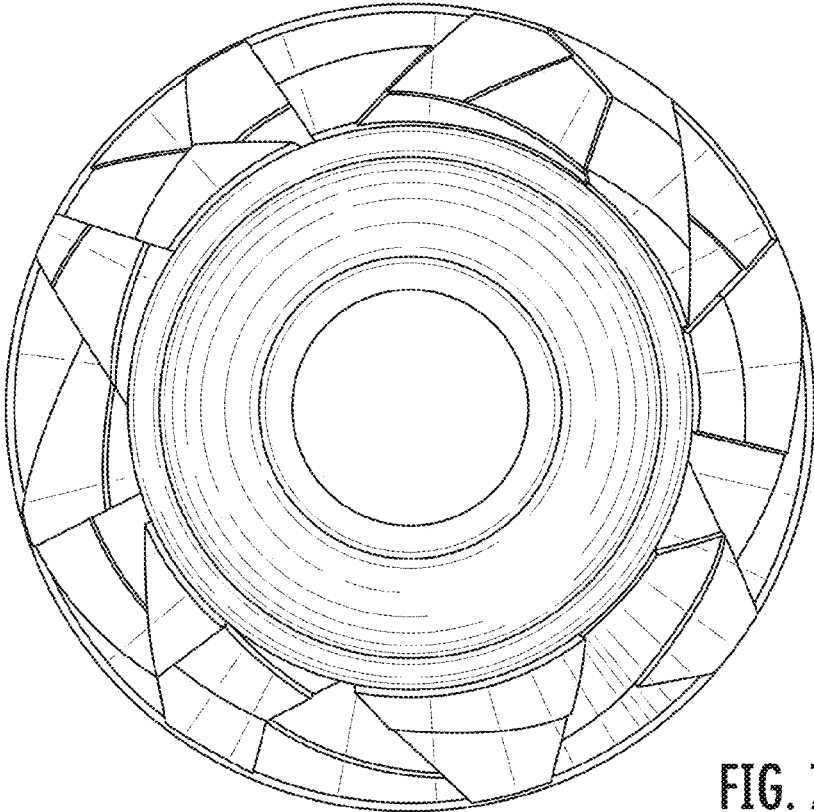


FIG. 7

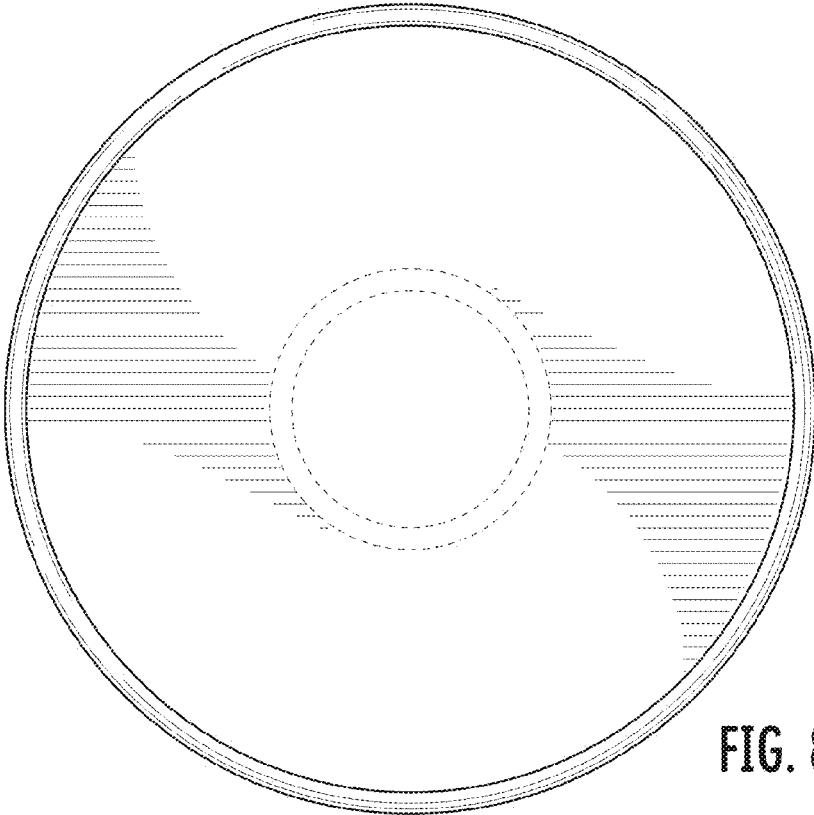


FIG. 8

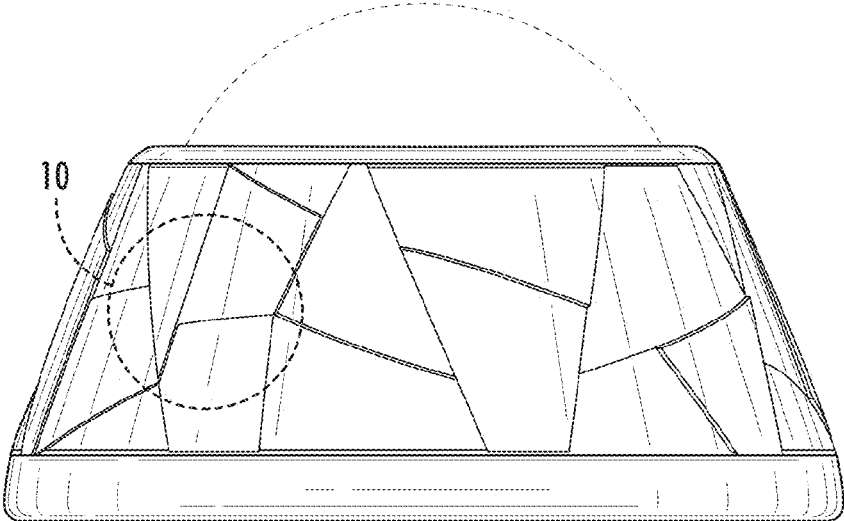


FIG. 9

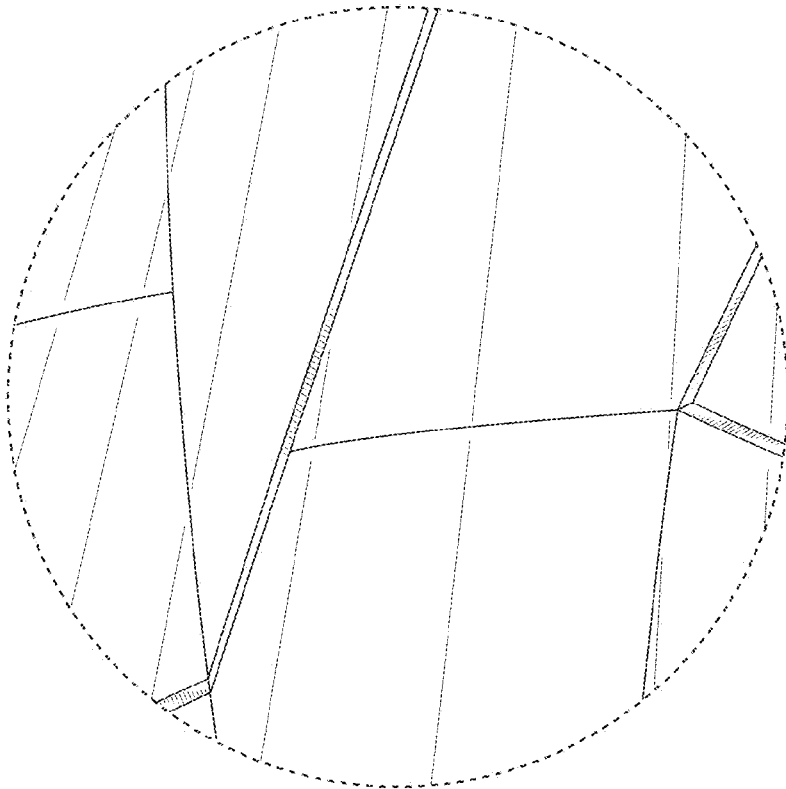


FIG. 10